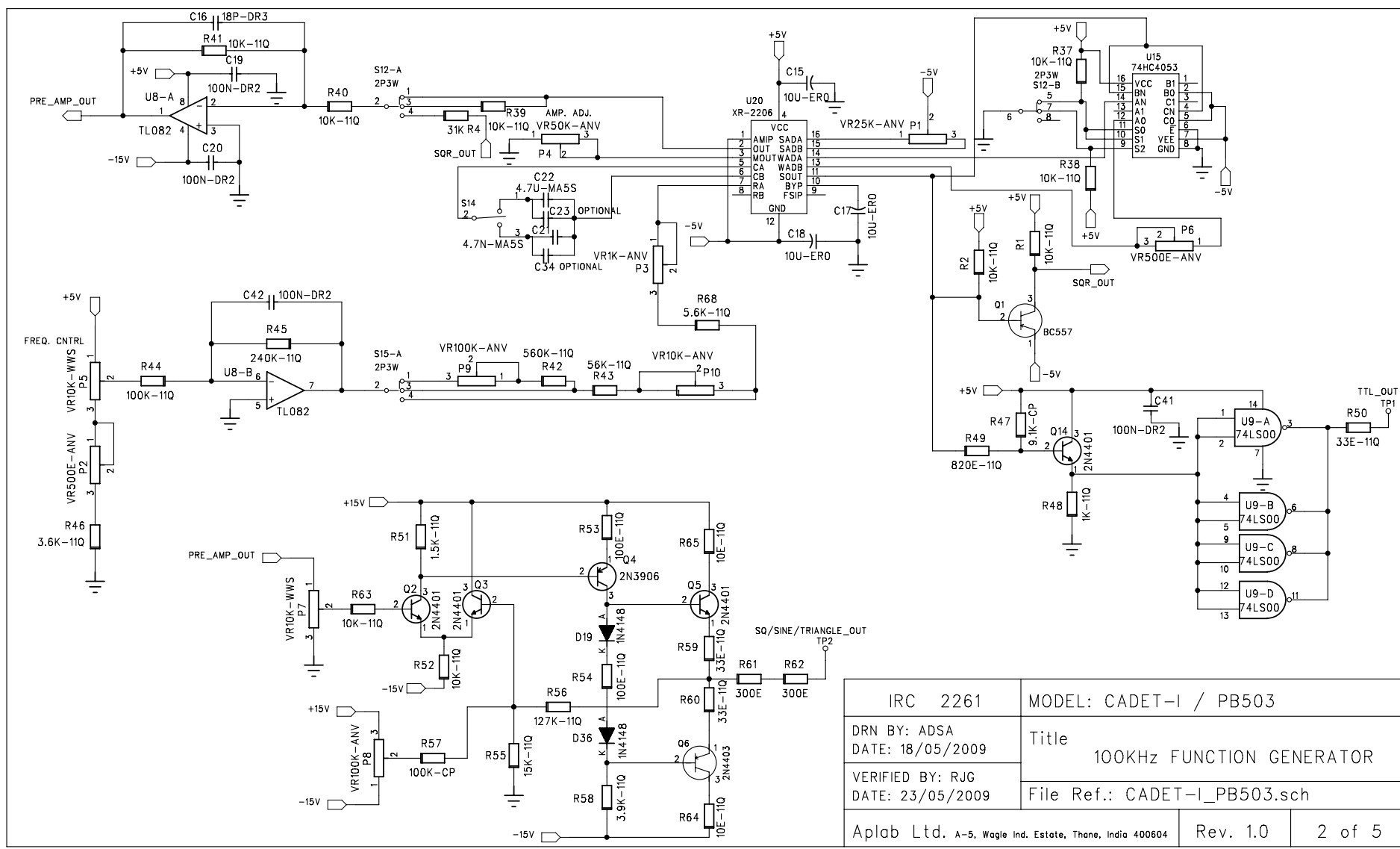
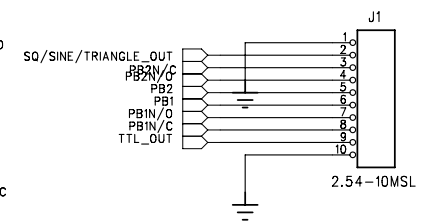
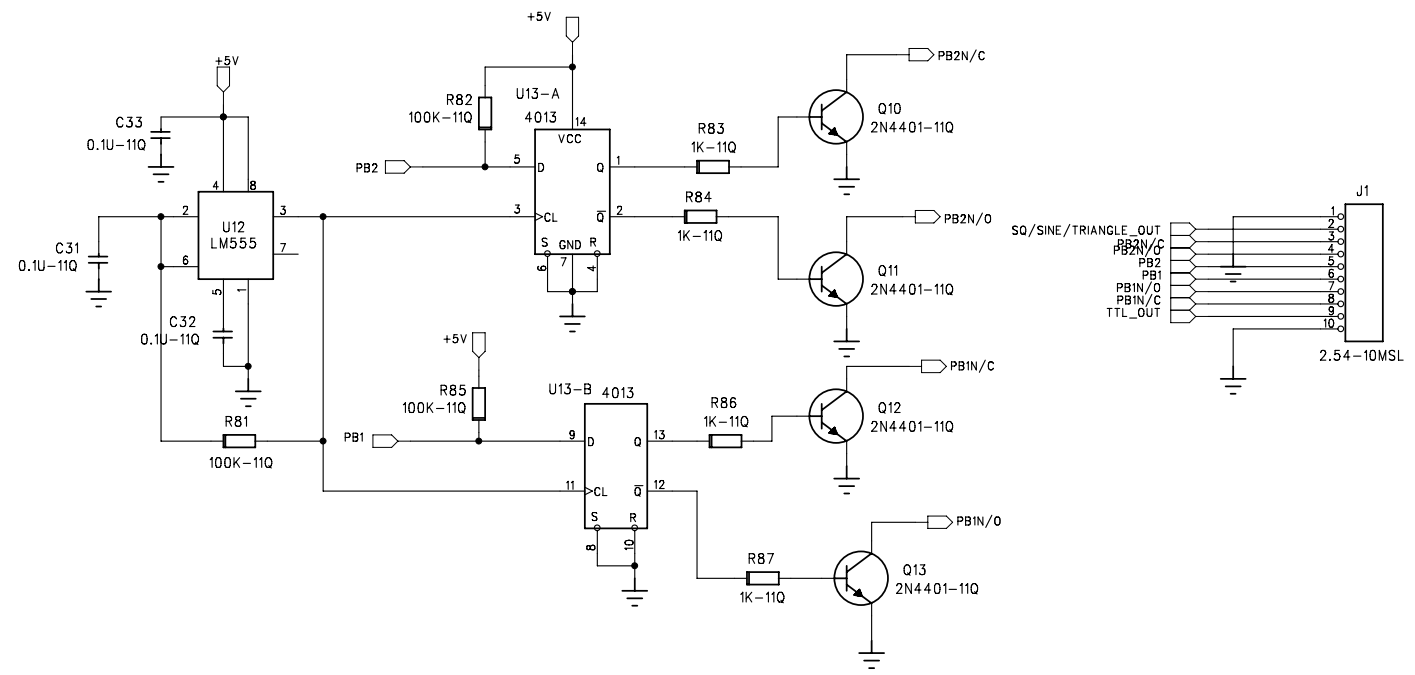


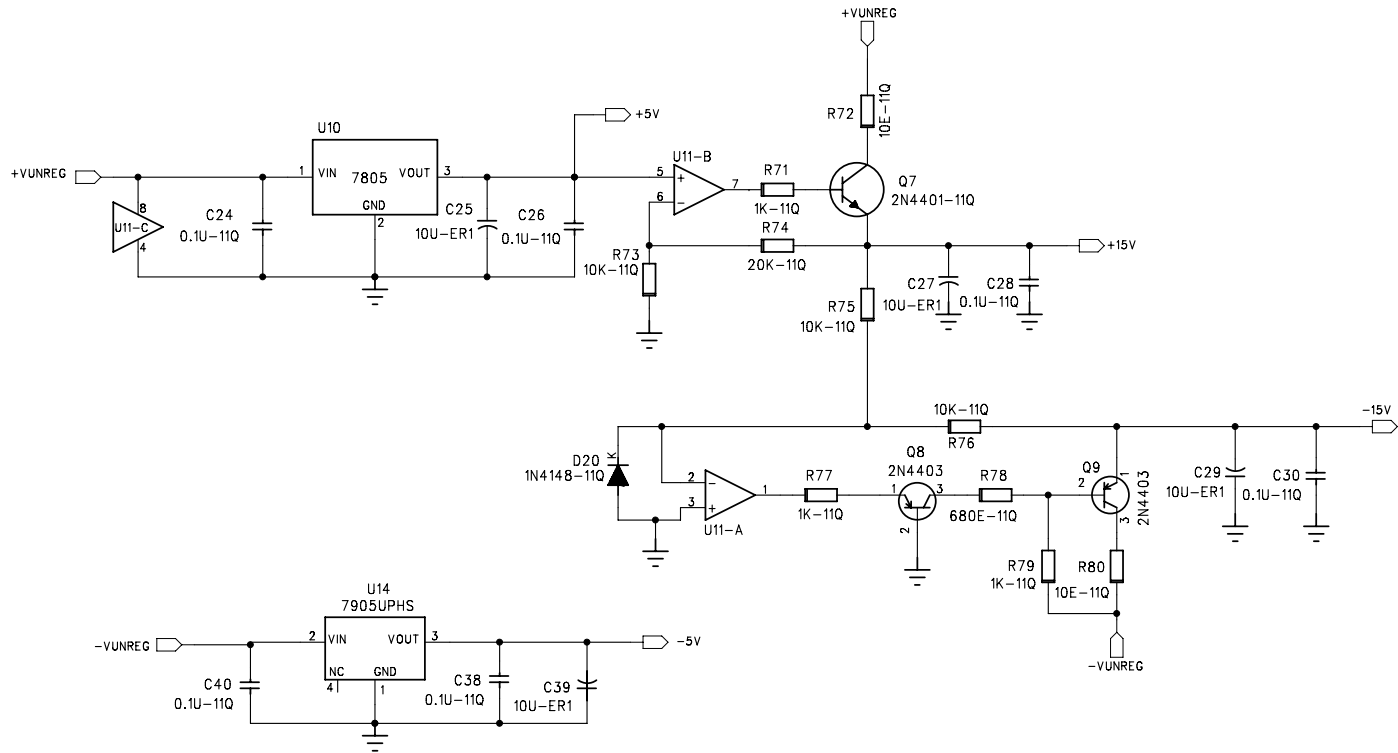
IRC 2261	MODEL: CADET-I / PB503
DRN BY: ADSA DATE: 18/05/2009	Title: EXTERNAL POWER SUPPLY
VERIFIED BY: RJG DATE: 23/05/2009	File Ref.: CADET-I_PB503.sch
Aplab Ltd. A-5, Wagle Ind. Estate, Thane, India 400604	Rev. 1.0   1 of 5



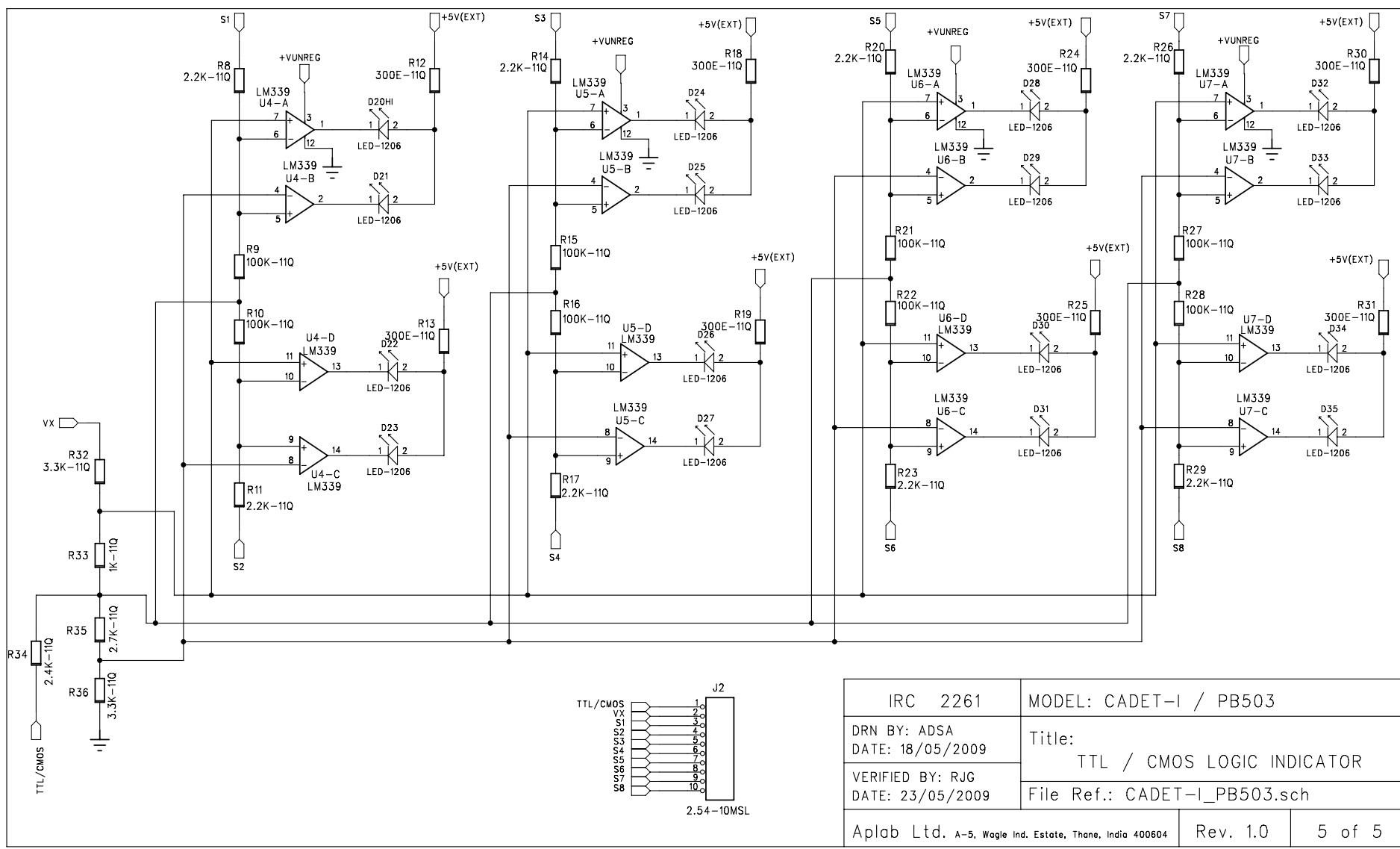
IRC 2261	MODEL: CADET-I / PB503
DRN BY: ADSA DATE: 18/05/2009	Title 100kHz FUNCTION GENERATOR
VERIFIED BY: RJG DATE: 23/05/2009	File Ref.: CADET-I_PB503.sch
Aplab Ltd. A-5, Wagie Ind. Estate, Thane, India 400604	Rev. 1.0      2 of 5



IRC 2261	MODEL: CADET-I / PB503
DRN BY: ADSA DATE: 18/05/2009	Title: PUSH SW DEBOUNCE SECTION
VERIFIED BY: RJG DATE: 23/05/2009	File Ref.: CADET-I_PB503.sch
Aplab Ltd. A-5, Wagle Ind. Estate, Thane, India 400604	Rev. 1.0   3 of 5



IRC 2261	MODEL: CADET-I / PB503
DRN BY: ADSA DATE: 18/05/2009	Title: INTERNAL POWER SUPPLY
VERIFIED BY: RJG DATE: 23/05/2009	File Ref.: CADET-I_PB503.sch
Aplab Ltd. A-5, Wagle Ind. Estate, Thane, India 400604	Rev. 1.0   4 of 5



IRC 2261	MODEL: CADET-I / PB503
DRN BY: AD DATE: 18/05/2009	Title: TTL / CMOS LOGIC INDICATOR
VERIFIED BY: RJG DATE: 23/05/2009	File Ref.: CADET-I_PB503.sch
Aplab Ltd. A-5, Wagie Ind. Estate, Thane, India 400604	Rev. 1.0   5 of 5